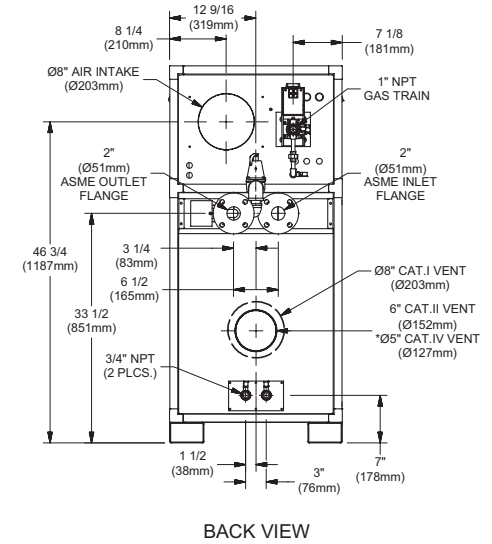
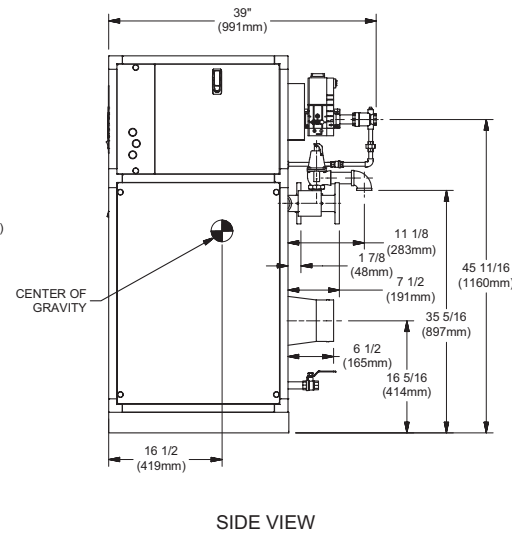
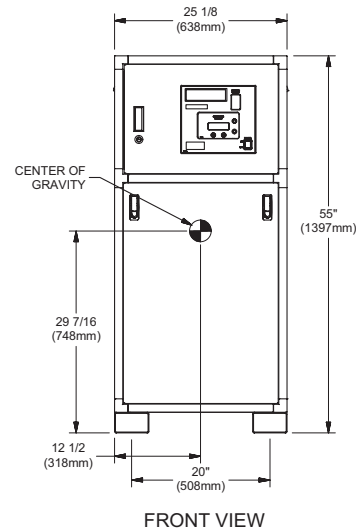
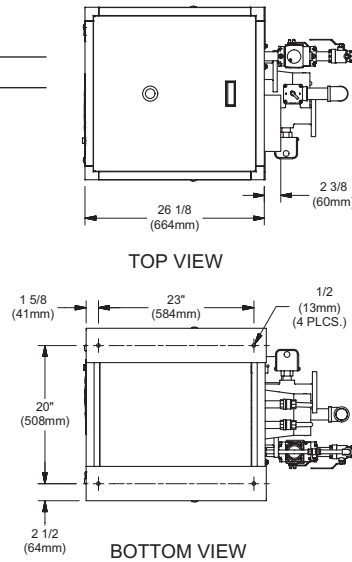


INDOOR UNIT

RSUB-56-L

CODE OPTIONS

CSD-1	Manual Reset LWCO
-------	-------------------



Notes:

- Dimensions are approximate and should not be used to "rough-in" equipment.
- Dimensions are subject to change without notice.

BOILER CERTIFIED RATINGS & CAPACITIES

Fuel Type	Natural/Propane Gas	Boiler FLA	4.4*
Input BTU/hr.	750,000 / 220 kW	Min. Gas Pressure Required	2" W.C.**
Output BTU/hr.	640,500 / 188 kW	Max. Gas Pressure Allowed	14" W.C.
Electrical Requirements	(L1, NEU, GND) 120VAC/ 1 ph / 60 hz	Operating Weight	585 lbs. / 266 kg.

BOILER TEMPERATURE RISE / PRESSURE DROP

20°F / 11.1°C				25°F / 13.9°C				30°F / 16.7°C				35°F / 19.4°C			
Flow Rate		Pressure Drop		Flow Rate		Pressure Drop		Flow Rate		Pressure Drop		Flow Rate		Pressure Drop	
GPM	L/s	Ft	kPa	GPM	L/s	Ft	kPa	GPM	L/s	Ft	kPa	GPM	L/s	Ft	kPa
64.1	4.0	1.58	4.7	51.2	3.2	1.04	3.1	42.7	2.7	0.75	2.2	36.6	2.3	0.56	1.7

BOILER / WATER HEATER TRIM & CONTROLS

Main Gas Valve	Dungs MBC-SE	Air Switch	Cleveland NS2
Firing Valve	1"	Blower Motor	Fasco 1/2 hp - FLA 2.3
Ignition Control	Honeywell RM7895C	Relief Valve - MW	3/4" x 3/4" set @ 125 psi
Operating Control	HeatNet®	Relief Valve - MB	3/4" x 3/4" set @ 50 psi
High Limit	Jumo	Flow Switch	TACO
Main Ball Valve	1"	Pilot Regulator	White-Rodgers 25M

WATER HEATER HOURLY RECOVERY CAPACITY (GPH & LPH)

40°F	22°C	60°F	33°C	80°F	44°C	100°F	56°C	120°F	67°C	140°F	78°C
1873	7079	1248	4719	936	3539	749	2832	624	2360	535	2023

Boilers & Water Heaters not available for sale in Canada due to NRCan regulations.

A.S.M.E.

ASME Sect IV Htg Surface	97.79 Sq. Ft. / 9.08 Sq. M.	Design Data	Max. 160 psig & 250°F
Water Volume	3.7 gal / 14.01 Liters		

* Add circulator amps.

** For incoming gas pressures lower than 2" W.C. natural or propane, consult factory.

REP FIRM _____

SUBMITTED BY _____

JOB NAME _____

ARCHITECT _____

ENGINEER _____

CONTRACTOR _____

DATE _____

FUTERA III 750

Category I, II or IV Appliance

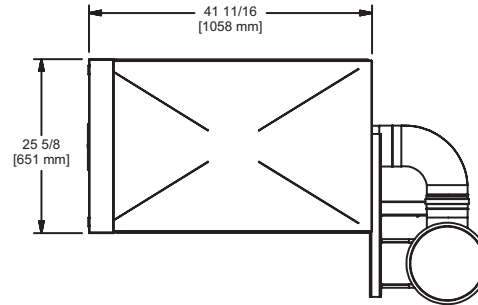
(see Installation and Operation Manual for venting information)



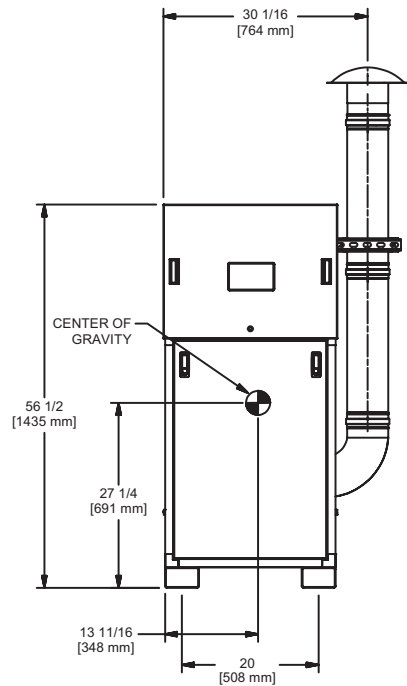
A Division of Mestek, Inc.
Westfield, MA 01085
(413) 568-9571

OUTDOOR UNIT

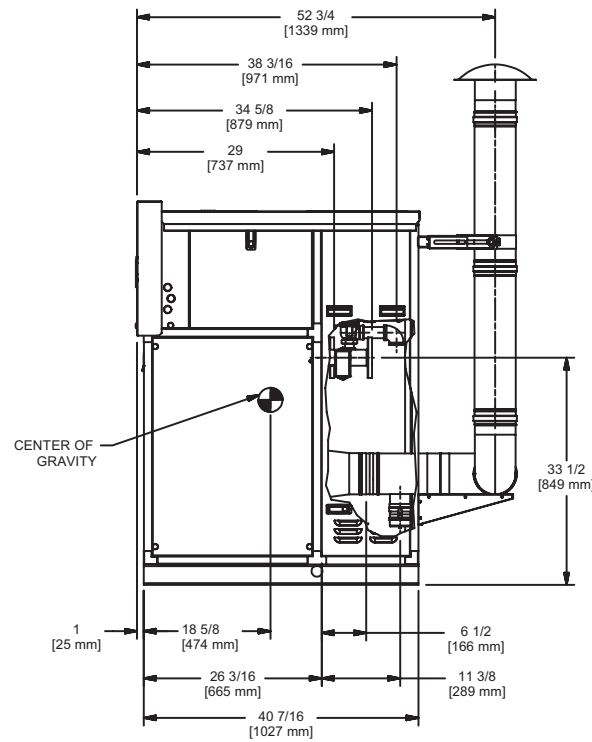
RSUB-111-B



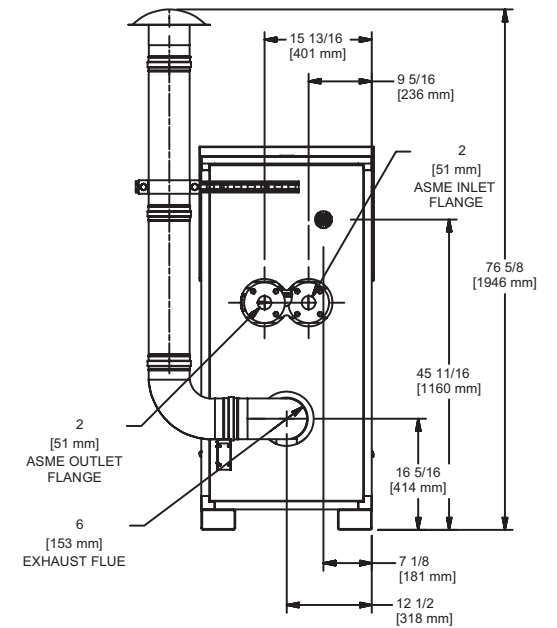
TOP VIEW



FRONT VIEW



SIDE VIEW



BACK VIEW

FUTERA III 750

Boilers & Water Heaters not available for sale in Canada due to NRCAN regulations.

Notes:

1. Dimensions are approximate and should not be used to "rough-in" equipment.
2. Dimensions are subject to change without notice.